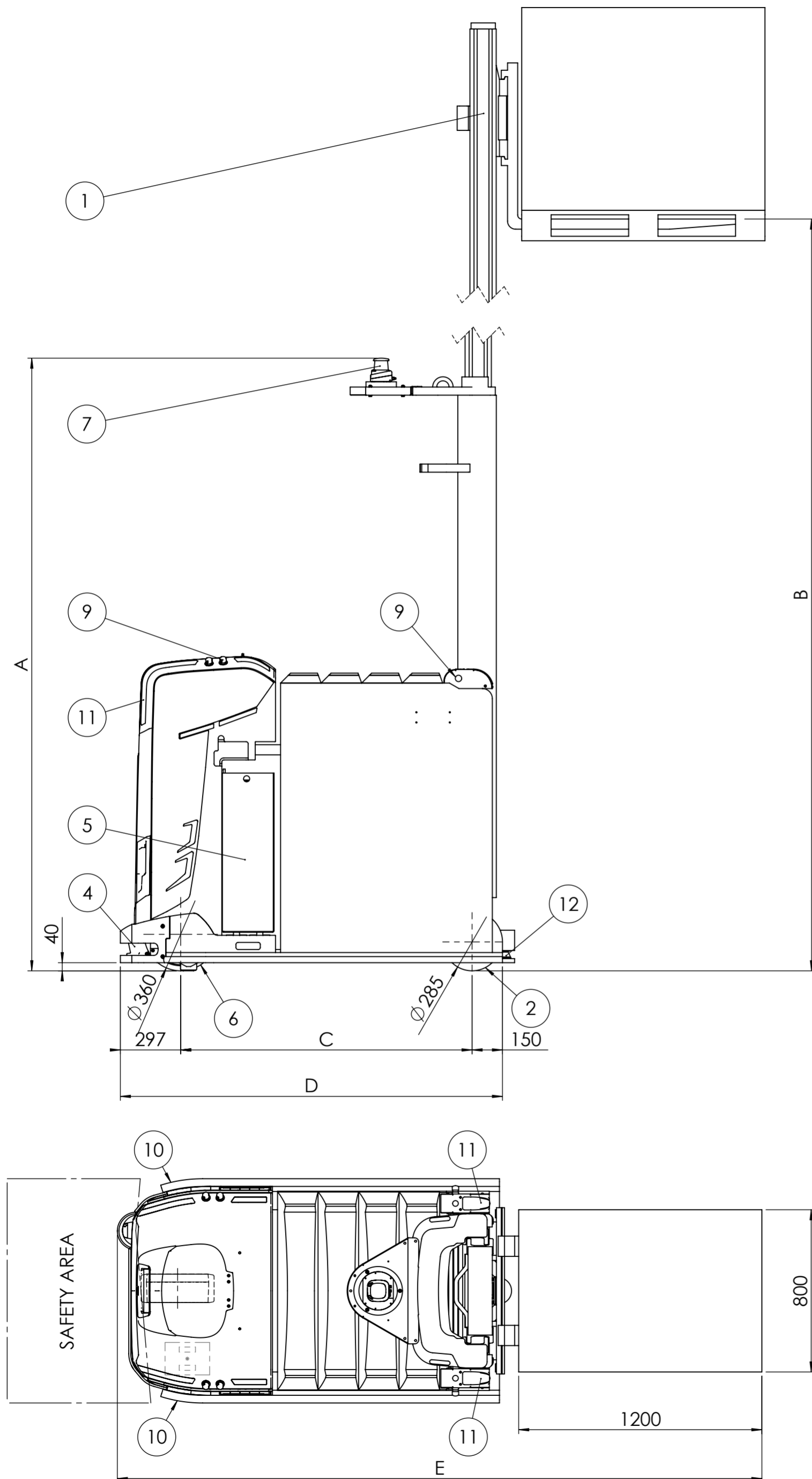


These specifications and engineering drawings are made by Rocla Oyj and shall not be used for any other purpose than that for which the documents have been made available by Rocla Oyj and shall not in any part or in any way, without prior written consent of Rocla Oyj, be copied, reproduced, conveyed, transferred or communicated to a third party or otherwise brought to his notice.



### LIFTING DEVICE / HEIGHTS

LIFTING DEVICE	LASER NAVIGATION HEAD HEIGHT (A)	FREE LIFTING HEIGHTS TO LIFTING FORK TOP	MAX. LIFTING HEIGHTS TO LIFTING FORK TOP (B)
TF4800	2522 ±10	1495	4340
TF5400	2722 ±10	1695	4940
TF5700	2822 ±10	1795	5240
TF5900	2888 ±10	1860	5440
TF6300	3022 ±10	1995	5840
TF7000	3255 ±10	2225	6540
TF7500	3422 ±10	2395	7040
TF8000	3588 ±10	2560	7540
TF8500	3755 ±10	2725	8040
TF9000	4077 ±10	3050	8540

### LOAD WEIGHT / VEHICLE LENGTH\*

	0-650 kg	650-900 kg	900-1100 kg	1100-1600 kg	1600-2000 kg	2000-2500 kg
C	1038	1138	1238	1438	1638	1838
D	1485	1585	1685	1885	2085	2285
E	2810	2910	3010	3210	3410	3610
Chassis	-600 mm	-500 mm	-400 mm	-200 mm	Standard	+200 mm

\* Table valid only with TF9000 lifting device and standard 310Ah battery.  
 With lower lifting device and 465Ah battery (+200 kg) load weights can increase.  
 Example: TF4400, 465Ah and -500 chassis max. load is 1250 kg.



**FOR QUOTATION PURPOSES ONLY**

Dimensions indicative only.  
Details subject to change.

1. LIFTING DEVICE
2. SUPPORT WHEELS
3. RADIO COMMUNICATION
4. SICK S3000 SAFETY SCANNER
5. BATTERY
6. DRIVE / STEERING UNIT
7. LASER NAVIGATION HEAD
8. OPERATORS INTERFACE
9. EMERGENCY STOP BUTTONS
10. SIDE PROTECTION
11. WARNING INDICATOR LAMPS
12. SICK S300 SAFETY SCANNER

SCALE	1:20	DESCRIPTION	AWTm25cf	MATERIAL
SIZE	A2	DESCRIPTION	DIMENSIONAL DRAWING	SURFACE FINISHING
DRW		<b>Rocla</b>	DRAWING NUMBER	AWT25cf TF 1200x800
DATE	4.5.2017		ITEM NUMBER	
CHD		WEIGHT	kg	ITEM VER
APP		<small>           Rocla Oyj, P.O. Box 88, FIN-04401 Järvenpää, Finland.            Tel. +358 20 778 11, Fax. +358 20 778 1436            e-mail: ogv@rocla.com         </small>		